

FOREST

КАТАЛОГ

По вопросам продаж и поддержки обращайтесь:

Алматы (7273)495-231
Ангарск (3955)60-70-56
Архангельск (8182)63-90-72
Астрахань (8512)99-46-04
Барнаул (3852)73-04-60
Белгород (4722)40-23-64
Благовещенск (4162)22-76-07
Брянск (4832)59-03-52
Владивосток (423)249-28-31
Владикавказ (8672)28-90-48
Владимир (4922)49-43-18
Волгоград (844)278-03-48
Вологда (8172)26-4159
Воронеж (473)204-51-73
Екатеринбург (343)384-55-89
Иваново (4932)77-34-06
Ижевск (3412)26-03-58
Иркутск (395)279-98-46
Казань (843)206-01-48

Калининград (4012)72-03-81
Калуга (4842)92-23-67
Кемерово (3842)65-04-62
Киров (8332)68-02-04
Коломна (4966)23-41-49
Кострома (4942)77-07-48
Краснодар (861)203-40-90
Красноярск (391)204-63-61
Курск (4712)77-13-04
Курган (3522)50-90-47
Липецк (4742)52-20-81
Магнитогорск (3519)55-03-13
Москва (495)268-04-70
Мурманск (8152)59-64-93
Набережные Челны (8552)20-53-41
Нижний Новгород (831)429-08-12
Новокузнецк (3843)20-46-81
Ноябрьск (3496)41-32-12
Новосибирск (383)227-86-73

Омск (3812)21-46-40
Орел (4862)44-53-42
Оренбург (3532)37-68-04
Пенза (8412)22-31-16
Петрозаводск (8142)55-98-37
Псков (8112)59-10-37
Пермь (342)205-81-47
Ростов-на-Дону (863)308-18-15
Рязань (4912)46-61-64
Самара (846)206-03-16
Саранск (8342)22-96-24
Санкт-Петербург (812)309-46-40
Саратов (845)249-38-78
Севастополь (8692)22-31-93
Симферополь (3652)67-13-56
Смоленск (4812)29-41-54
Сочи (862)225-72-31
Ставрополь (8652)20-65-13
Сургут (3462)77-98-35

Сыктывкар (8212)25-95-17
Тамбов (4752)50-40-97
Тверь (4822)63-31-35
Тольятти (8482)63-91-07
Томск (3822)98-41-53
Тула (4872)33-79-87
Тюмень (3452)66-21-18
Ульяновск (8422)24-23-59
Улан-Удэ (3012)59-97-51
Уфа (347)229-48-12
Хабаровск (4212)92-98-04
Чебоксары (8352)28-53-07
Челябинск (351)202-03-61
Череповец (8202)49-02-64
Чита (3022)38-34-83
Якутск (4112)23-90-97
Ярославль (4852)69-52-93

Россия +7(495)268-04-70

Казахстан +7(7172)727-132

Киргизия +996(312)96-26-47

Адрес: <https://fast.nt-rt.ru/> || эл.почта: ftj@nt-rt.ru

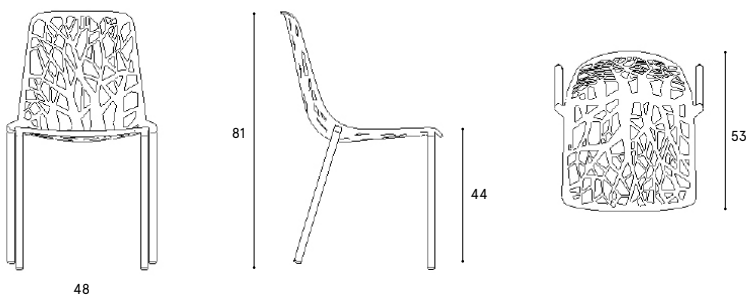
Forest

6501

RV.03-03-2022

Descrizione / Description

Misure / Quotes



Caratteristiche / Characteristics

Sedia in alluminio verniciato / Chair in painted aluminium

Design / Design

Design Robby Cantarutti & Partners | 2008

Dimensioni / Dimensions

cm 48 x 53 x 44/81 h

Esterno / Outdoor

Si / Yes

Struttura / Structure

Alluminio pressofuso ed estruso / Die-cast and extruded aluminium

Elementi plastici / Plastic elements

Polipropilene ed elastomero termoplastico / Polypropylene and thermoplastics elastomer

Finitura / Paint finishes

Verniciatura polveri poliesteri o poliuretaniche / Paint finish with polyester or polyurethane powders

Impilabilità / Stackability

Si 8 pezzi / Yes 8 pieces

Viterie assemblaggio / Assembly screws

Acciaio inox / Stainless steel

Peso netto singolo pezzo / Net weight

4,6 kg

Pezzi per scatola / Units per package

4 assemblati / 4 assembled

Dimensione e volume imballo / Packaging dimension and volume

86 x 52 x 73 h cm 0.327 m³

Peso lordo imballo / Gross weight package

22,2 kg

Garanzia / Quality guarantee

2 anni / 2 years

Accessori / Accessories



609



614



632



623

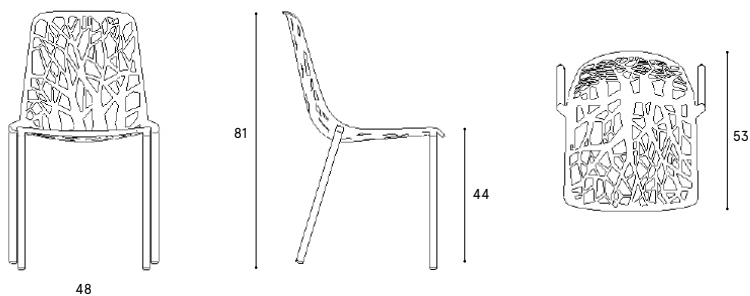
Forest

6501L

RV.05-03-2022

Descrizione / Description

Misure / Quotes



Caratteristiche / Characteristics

Sedia in alluminio verniciato con gambe rivestite in Iroko / Chair in painted aluminium with legs covered in Iroko

Design / Design

Design Robby Cantarutti & Partners | 2020

Dimensioni / Dimensions

cm 48 x 53 x 44/81 h

Esterno / Outdoor

Si / Yes

Struttura / Structure

Alluminio pressofuso ed estruso / Die-cast and extruded aluminium

Elementi plastici / Plastic elements

Polipropilene ed elastomero termoplastico / Polypropylene and thermoplastics elastomer

Finitura / Paint finishes

Verniciatura polveri poliesteri o poliuretaniche / Paint finish with polyester or polyurethane powders

Impilabilità / Stackability

Si 8 pezzi / Yes 8 pieces

Viterie assemblaggio / Assembly screws

Acciaio inox / Stainless steel

Peso netto singolo pezzo / Net weight

4,6 kg

Pezzi per scatola / Units per package

4 assemblati / 4 assembled

Dimensione e volume imballo / Packaging dimension and volume

86 x 52 x 73 h cm 0.327 m³

Peso lordo imballo / Gross weight package

22,2 kg

Garanzia / Quality guarantee

2 anni / 2 years

Accessori / Accessories



609

614

632

623

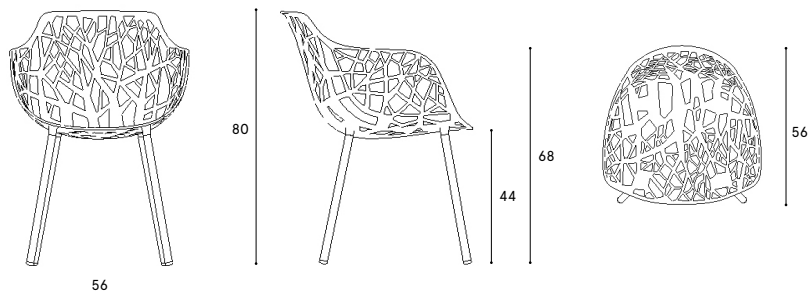
Forest

6500

RV.03-03-2022

Descrizione / Description

Misure / Quotes



Caratteristiche / Characteristics

Poltroncina in alluminio verniciato / Dining armchair in painted aluminium

Design / Design

Design Robby Cantarutti & Partners | 2007

Dimensioni / Dimensions

cm 56 x 56 x 44/68/80 h

Esterno / Outdoor

Sì / Yes

Struttura / Structure

Alluminio pressofuso ed estruso / Die-cast and extruded aluminium

Elementi plastici / Plastic elements

Polipropilene ed elastomero termoplastico / Polypropylene and thermoplastics elastomer

Finitura / Paint finishes

Verniciatura polveri poliesteri o poliuretaniche / Paint finish with polyester or polyurethane powders

Impilabilità / Stackability

No

Viterie assemblaggio / Assembly screws

Acciaio inox / Stainless steel

Peso netto singolo pezzo / Net weight

5,8 kg

Pezzi per scatola / Units per package

4 disassemblati / 4 disassembled

Dimensione e volume imballo / Packaging dimension and volume

60 x 67 x 63 h cm 0.253 m³

Peso lordo imballo / Gross weight package

27 kg

Garanzia / Quality guarantee

2 anni / 2 years

Accessori / Accessories



608



614



632



623

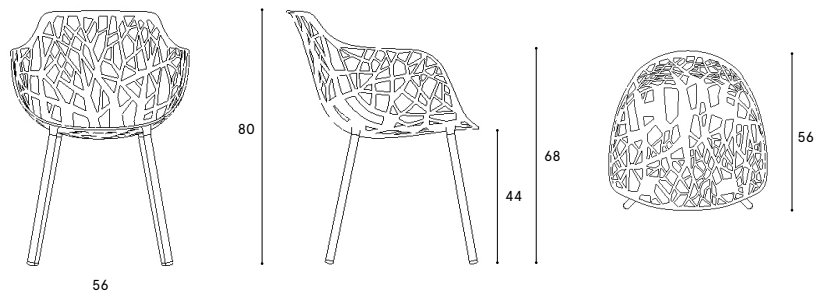
Forest

6500L

RV.03-03-2022

Descrizione / Description

Misure / Quotes



Caratteristiche / Characteristics

Poltroncina in alluminio verniciato con gambe rivestite in Iroko / Dining armchair in painted aluminium with legs covered in Iroko

Design / Design

Design Robby Cantarutti & Partners | 2020

Dimensioni / Dimensions

cm 56 x 56 x 44/68/80 h

Esterno / Outdoor

Si / Yes

Struttura / Structure

Alluminio pressofuso ed estruso / Die-cast and extruded aluminium

Elementi plastici / Plastic elements

Polipropilene ed elastomero termoplastico / Polypropylene and thermoplastics elastomer

Finitura / Paint finishes

Verniciatura polveri poliesteri o poliuretaniche/ Paint finish with polyester or polyurethane powders

Impilabilità / Stackability

No

Viterie assemblaggio / Assembly screws

Acciaio inox / Stainless steel

Peso netto singolo pezzo / Net weight

5,8 kg

Pezzi per scatola / Units per package

4 disassemblati / 4 disassembled

Dimensione e volume imballo / Packaging dimension and volume

60 x 67 x 63 h cm 0.253 m³

Peso lordo imballo / Gross weight package

27 kg

Garanzia / Quality guarantee

2 anni / 2 years

Accessori / Accessories



608



614



632



623

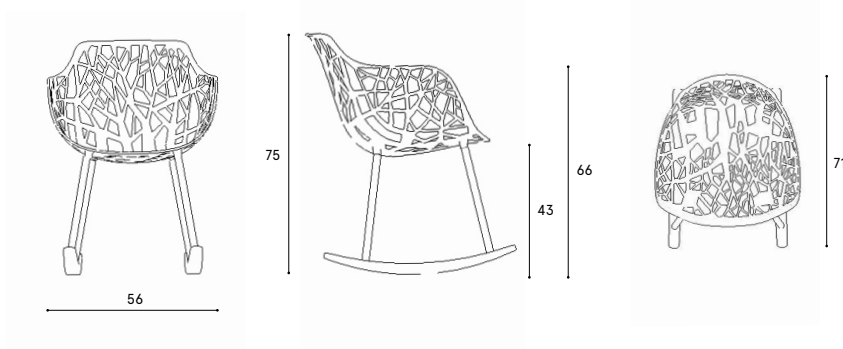
Forest

6500D

RV.03-03-2022

Descrizione / Description

Misure / Quotes



Caratteristiche / Characteristics

Poltroncina a dondolo in alluminio verniciato e slitte in Iroko / Rocking armchair in painted aluminium and Iroko sleds

Design / Design

Design Robby Cantarutti & Partners | 2020

Dimensioni / Dimensions

cm 56 x 67 x 43/76 h

Esterno / Outdoor

Si / Yes

Struttura / Structure

Alluminio pressofuso ed estruso / Die-cast and extruded aluminium

Elementi plastici / Plastic elements

Polipropilene ed elastomero termoplastico / Polypropylene and thermoplastics elastomer

Finitura / Paint finishes

Verniciatura polveri poliesteri o poliuretaniche/ Paint finish with polyester or polyurethane powders

Impilabilità / Stackability

No

Viterie assemblaggio / Assembly screws

Acciaio inox / Stainless steel

Peso netto singolo pezzo / Net weight

6,8 kg

Pezzi per scatola / Units per package

1 assemblato / 1 assembled

Dimensione e volume imballo / Packaging dimension and volume

cm 73 x 69 x 96 0,483 m³

Peso lordo imballo / Gross weight package

14 kg

Garanzia / Quality guarantee

2 anni / 2 years

Accessori / Accessories



608



614



632



623

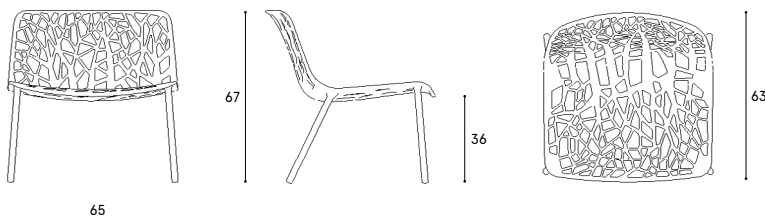
Forest

6505

RV.03-03-2022

Descrizione / Description

Misure / Quotes



Caratteristiche / Characteristics

Poltrona lounge in alluminio verniciato / Lounge armchair in painted aluminium

Design / Design

Design Robby Cantarutti & Partners | 2018

Dimensioni / Dimensions

cm 65 x 65 x 67/36 h

Esterno / Outdoor

Si / Yes

Struttura / Structure

Alluminio pressofuso ed estruso / Die-cast and extruded aluminium

Elementi plastici / Plastic elements

Polipropilene ed elastomero termoplastico / Polypropylene and thermoplastics elastomer

Finitura / Paint finishes

Verniciatura polveri poliestere o poliuretatiche / Paint finish with polyester or polyurethane powders

Impilabilità / Stackability

No

Viterie assemblaggio / Assembly screws

Acciaio inox / Stainless steel

Peso netto singolo pezzo / Net weight

7,8 kg

Pezzi per scatola / Units per package

1 assemblato / 1 assembled

Dimensione e volume imballo / Packaging dimension and volume

100 x 86 x 80 h cm 0.688 m³

Peso lordo imballo / Gross weight package

17 kg

Garanzia / Quality guarantee

2 anni / 2 years

Accessori / Accessories



630



631



633

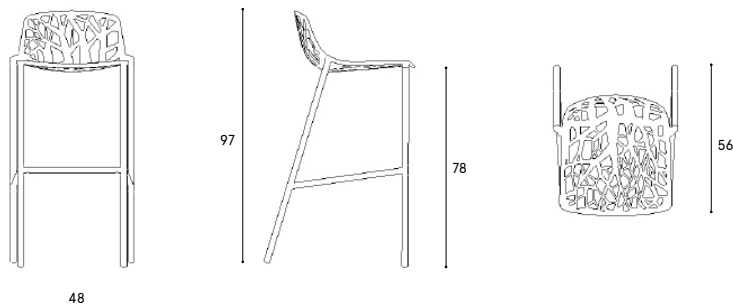
Forest

6800

RV.03-03-2022

Descrizione / Description

Misure / Quotes



Caratteristiche / Characteristics

Sgabello in alluminio verniciato con poggiapiedi in acciaio inox lucidato / Stool in painted aluminium with footrest in polished stainless steel

Design / Design

Design Robby Cantarutti & Partners | 2008

Dimensioni / Dimensions

cm 48 x 56 x 78/79 h

Esterno / Outdoor

Si / Yes

Struttura / Structure

Alluminio pressofuso, estruso e acciaio inox / Die-cast, extruded aluminium and stainless steel

Elementi plastici / Plastic elements

Polipropilene ed elastomero termoplastico / Polypropylene and thermoplastics elastomer

Finitura / Paint finishes

Verniciatura polveri poliesteri o poliuretaniche / Paint finish with polyester or polyurethane powders

Impilabilità / Stackability

No

Viterie assemblaggio / Assembly screws

Acciaio inox / Stainless steel

Peso netto singolo pezzo / Net weight

4,8 kg

Pezzi per scatola / Units per package

1 assemblato / 1 assembled

Dimensione e volume imballo / Packaging dimension and volume

52 x 73 x 97 h cm 0.354 m³

Peso lordo imballo / Gross weight package

11,2 kg

Garanzia / Quality guarantee

2 anni / 2 years

Accessori / Accessories



614



632



623

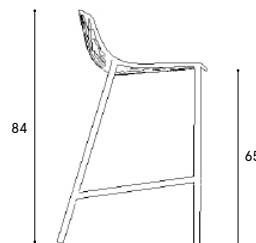
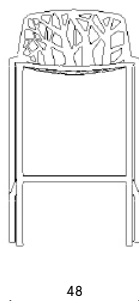
Forest

6805

RV.03-03-2022

Descrizione / Description

Misure / Quotes



Caratteristiche / Characteristics

Sgabello in alluminio verniciato con poggiapiedi in acciaio inox lucidato / Stool in painted aluminium with footrest in polished stainless steel

Design / Design

Design Robby Cantarutti & Partners | 2010

Dimensioni / Dimensions

cm 48 x 52 x 65/84 h

Esterno / Outdoor

Sì / Yes

Struttura / Structure

Alluminio pressofuso, estruso e acciaio inox / Die-cast, extruded aluminium and stainless steel

Elementi plastici / Plastic elements

Polipropilene ed elastomero termoplastico / Polypropylene and thermoplastics elastomer

Finitura / Paint finishes

Verniciatura polveri poliestere o poliuretatiche / Paint finish with polyester or polyurethane powders

Impilabilità / Stackability

No

Viterie assemblaggio / Assembly screws

Acciaio inox / Stainless steel

Peso netto singolo pezzo / Net weight

4,3 kg

Pezzi per scatola / Units per package

1 assemblato / 1 assembled

Dimensione e volume imballo / Packaging dimension and volume

52 x 73 x 86 h cm 0.314 m³

Peso lordo imballo / Gross weight package

10,9 kg

Garanzia / Quality guarantee

2 anni / 2 years

Accessori / Accessories



614



632



623

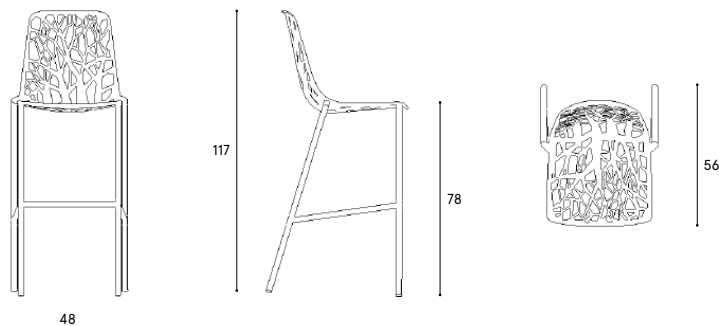
Forest

6801

RV.03-03-2022

Descrizione / Description

Misure / Quotes



Caratteristiche / Characteristics

Sgabello con schienale alto in alluminio verniciato con poggiatesta in acciaio inox lucidato / Stool with high backrest in painted aluminium with footrest in polished stainless steel

Design / Design

Design Robby Cantarutti & Partners | 2011

Dimensioni / Dimensions

cm 48 x 56 x 78/117 h

Esterno / Outdoor

Si / Yes

Struttura / Structure

Alluminio pressofuso, estruso e acciaio inox / Die-cast, extruded aluminium and stainless steel

Elementi plastici / Plastic elements

Polipropilene ed elastomero termoplastico / Polypropylene and thermoplastics elastomer

Finitura / Paint finishes

Verniciatura polveri poliestere o poliuretaniche / Paint finish with polyester or polyurethane powders

Impilabilità / Stackability

No

Viterie assemblaggio / Assembly screws

Acciaio inox / Stainless steel

Peso netto singolo pezzo / Net weight

5 kg

Pezzi per scatola / Units per package

1 assemblato / 1 assembled

Dimensione e volume imballo / Packaging dimension and volume

52x 62 x 120 h cm 0.372 m³

Peso lordo imballo / Gross weight package

11,5 kg

Garanzia / Quality guarantee

2 anni / 2 years

Accessori / Accessories



609



614



632



623

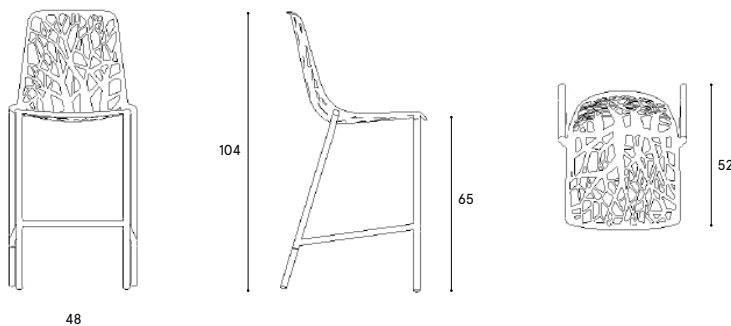
Forest

6803

RV.03-03-2022

Descrizione / Description

Misure / Quotes



Caratteristiche / Characteristics

Sgabello con schienale alto in alluminio verniciato con poggiapiedi in acciaio inox lucidato / Stool with high backrest in painted aluminium with footrest in polished stainless steel

Design / Design

Design Robby Cantarutti & Partners | 2011

Dimensioni / Dimensions

cm 48 x 52 x 65/104 h

Esterno / Outdoor

Si / Yes

Struttura / Structure

Alluminio pressofuso, estruso e acciaio inox / Die-cast, extruded aluminium and stainless steel

Elementi plastici / Plastic elements

Polipropilene ed elastomero termoplastico / Polypropylene and thermoplastics elastomer

Finitura / Paint finishes

Verniciatura polveri poliesteri o poliuretaniche/ Paint finish with polyester or polyurethane powders

Impilabilità / Stackability

No

Viterie assemblaggio / Assembly screws

Acciaio inox / Stainless steel

Peso netto singolo pezzo / Net weight

4,7 kg

Pezzi per scatola / Units per package

1 assemblato / 1 assembled

Dimensione e volume imballo / Packaging dimension and volume

52 x 62 x 104 h cm 0.323 m³

Peso lordo imballo / Gross weight package

11,3 kg

Garanzia / Quality guarantee

2 anni / 2 years

Accessori / Accessories



609



614



632



623

По вопросам продаж и поддержки обращайтесь:

Алматы (7273)495-231
Ангарск (3955)60-70-56
Архангельск (8182)63-90-72
Астрахань (8512)99-46-04
Барнаул (3852)73-04-60
Белгород (4722)40-23-64
Благовещенск (4162)22-76-07
Брянск (4832)59-03-52
Владивосток (423)249-28-31
Владикавказ (8672)28-90-48
Владимир (4922)49-43-18
Волгоград (844)278-03-48
Вологда (8172)26-4159
Воронеж (473)204-51-73
Екатеринбург (343)384-55-89
Иваново (4932)77-34-06
Ижевск (3412)26-03-58
Иркутск (395)279-98-46
Казань (843)206-01-48

Калининград (4012)72-03-81
Калуга (4842)92-23-67
Кемерово (3842)65-04-62
Киров (8332)68-02-04
Коломна (4966)23-41-49
Кострома (4942)77-07-48
Краснодар (861)203-40-90
Красноярск (391)204-63-61
Курск (4712)77-13-04
Курган (3522)50-90-47
Липецк (4742)52-20-81
Магнитогорск (3519)55-03-13
Москва (495)268-04-70
Мурманск (8152)59-64-93
Набережные Челны (8552)20-53-41
Нижний Новгород (831)429-08-12
Новокузнецк (3843)20-46-81
Ноябрьск (3496)41-32-12
Новосибирск (383)227-86-73

Омск (3812)21-46-40
Орел (4862)44-53-42
Оренбург (3532)37-68-04
Пенза (8412)22-31-16
Петрозаводск (8142)55-98-37
Псков (8112)59-10-37
Пермь (342)205-81-47
Ростов-на-Дону (863)308-18-15
Рязань (4912)46-61-64
Самара (846)206-03-16
Саранск (8342)22-96-24
Санкт-Петербург (812)309-46-40
Саратов (845)249-38-78
Севастополь (8692)22-31-93
Симферополь (3652)67-13-56
Смоленск (4812)29-41-54
Сочи (862)225-72-31
Ставрополь (8652)20-65-13
Сургут (3462)77-98-35

Сыктывкар (8212)25-95-17
Тамбов (4752)50-40-97
Тверь (4822)63-31-35
Тольятти (8482)63-91-07
Томск (3822)98-41-53
Тула (4872)33-79-87
Тюмень (3452)66-21-18
Ульяновск (8422)24-23-59
Улан-Удэ (3012)59-97-51
Уфа (347)229-48-12
Хабаровск (4212)92-98-04
Чебоксары (8352)28-53-07
Челябинск (351)202-03-61
Череповец (8202)49-02-64
Чита (3022)38-34-83
Якутск (4112)23-90-97
Ярославль (4852)69-52-93

Россия +7(495)268-04-70

Казахстан +7(7172)727-132

Киргизия +996(312)96-26-47

Адрес: <https://fast.nt-rt.ru/> || эл.почта: ftj@nt-rt.ru