

GRANDE ARCHE

КАТАЛОГ

По вопросам продаж и поддержки обращайтесь:

Алматы (7273)495-231
Ангарск (3955)60-70-56
Архангельск (8182)63-90-72
Астрахань (8512)99-46-04
Барнаул (3852)73-04-60
Белгород (4722)40-23-64
Благовещенск (4162)22-76-07
Брянск (4832)59-03-52
Владивосток (423)249-28-31
Владикавказ (8672)28-90-48
Владимир (4922)49-43-18
Волгоград (844)278-03-48
Вологда (8172)26-4159
Воронеж (473)204-51-73
Екатеринбург (343)384-55-89
Иваново (4932)77-34-06
Ижевск (3412)26-03-58
Иркутск (395)279-98-46
Казань (843)206-01-48

Калининград (4012)72-03-81
Калуга (4842)92-23-67
Кемерово (3842)65-04-62
Киров (8332)68-02-04
Коломна (4966)23-41-49
Кострома (4942)77-07-48
Краснодар (861)203-40-90
Красноярск (391)204-63-61
Курск (4712)77-13-04
Курган (3522)50-90-47
Липецк (4742)52-20-81
Магнитогорск (3519)55-03-13
Москва (495)268-04-70
Мурманск (8152)59-64-93
Набережные Челны (8552)20-53-41
Нижний Новгород (831)429-08-12
Новокузнецк (3843)20-46-81
Ноябрьск (3496)41-32-12
Новосибирск (383)227-86-73

Омск (3812)21-46-40
Орел (4862)44-53-42
Оренбург (3532)37-68-04
Пенза (8412)22-31-16
Петрозаводск (8142)55-98-37
Псков (8112)59-10-37
Пермь (342)205-81-47
Ростов-на-Дону (863)308-18-15
Рязань (4912)46-61-64
Самара (846)206-03-16
Саранск (8342)22-96-24
Санкт-Петербург (812)309-46-40
Саратов (845)249-38-78
Севастополь (8692)22-31-93
Симферополь (3652)67-13-56
Смоленск (4812)29-41-54
Сочи (862)225-72-31
Ставрополь (8652)20-65-13
Сургут (3462)77-98-35

Сыктывкар (8212)25-95-17
Тамбов (4752)50-40-97
Тверь (4822)63-31-35
Тольятти (8482)63-91-07
Томск (3822)98-41-53
Тула (4872)33-79-87
Тюмень (3452)66-21-18
Ульяновск (8422)24-23-59
Улан-Удэ (3012)59-97-51
Уфа (347)229-48-12
Хабаровск (4212)92-98-04
Чебоксары (8352)28-53-07
Челябинск (351)202-03-61
Череповец (8202)49-02-64
Чита (3022)38-34-83
Якутск (4112)23-90-97
Ярославль (4852)69-52-93

Россия +7(495)268-04-70

Казахстан +7(7172)727-132

Киргизия +996(312)96-26-47

Адрес: <https://fast.nt-rt.ru/> || эл.почта: ftj@nt-rt.ru

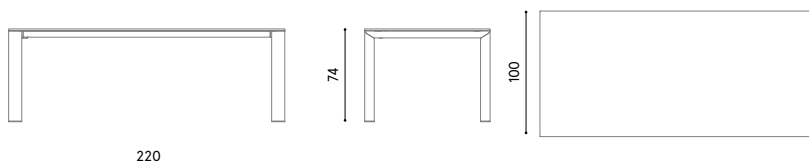
Grande Arche

572210

RV.0-02-2022

Descrizione / Description

Misure / Quotes



Caratteristiche / Characteristics

Tavolo rettangolare in alluminio verniciato / Rectangular table in painted aluminium

Design / Design	Robby Cantarutti & Partners
Dimensioni / Dimensions	220 x 100 x 74 h
Esterno / Outdoor	Si / yes
Struttura / Structure	Alluminio pressofuso, estruso e laminato / Die-cast, extruded aluminium and laminated
Elementi plastici / Plastic elements	Polietilene / Polyethylene
Finitura / Paint finishes	Verniciatura polveri poliestere o poliuretaniche / Paint finish with polyester or polyurethane powders
Impilabilità / Stackability	Si / yes
Viterie assemblaggio / Assembly screws	Acciaio inox / Stainless steel
Peso netto singolo pezzo / Net weight	36,293 kg
Pezzi per scatola / Units per package	1 disassemblati / 1 disassembled
Dimensione e volume imballo / Packaging dimension and volume	252 x 116 x 21 cm 0.614 m ³
Peso lordo imballo / Gross weight package	48 kg
Garanzia / Quality guarantee	2 anni / 2 years

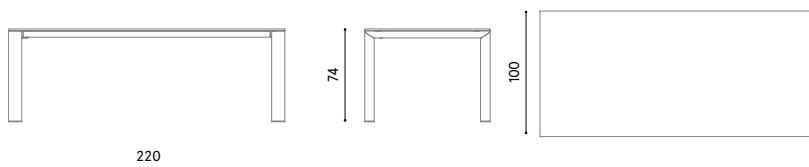
Grande Arche

572210S

RV.0-02-2022

Descrizione / Description

Misure / Quotes



Caratteristiche / Characteristics

Tavolo rettangolare in alluminio verniciato con piano in alluminio puntinato / Rectangular table in painted aluminium with top in speckled aluminium

Design / Design	Robby Cantarutti & Partners
Dimensioni / Dimensions	220 x 100 x 74 h
Esterno / Outdoor	Si / yes
Struttura / Structure	Alluminio pressofuso, estruso e laminato / Die-cast, extruded aluminium and laminated
Elementi plastici / Plastic elements	Polietilene / Polyethylene
Finitura / Paint finishes	Verniciatura polveri poliestere o poliuretaniche / Paint finish with polyester or polyurethane powders
Impilabilità / Stackability	Si / yes
Viterie assemblaggio / Assembly screws	Acciaio inox / Stainless steel
Peso netto singolo pezzo / Net weight	36,293 kg
Pezzi per scatola / Units per package	1 disassemblati / 1 disassembled
Dimensione e volume imballo / Packaging dimension and volume	252 x 116 x 21 cm 0.614 m ³
Peso lordo imballo / Gross weight package	48 kg
Garanzia / Quality guarantee	2 anni / 2 years

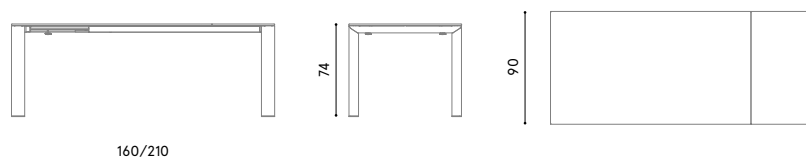
Grande Arche

5500

RV.0-02-2022

Descrizione / Description

Misure / Quotes



Caratteristiche / Characteristics

Tavolo rettangolare allungabile in alluminio verniciato con prolunga. Predisposto per una seconda prolunga / Extendible rectangular table in painted aluminium, with extension. Ready for a second extension

Design / Design	Robby Cantarutti & Partners
Dimensioni / Dimensions	160/210 x 90 x 74 h
Esterno / Outdoor	Si / yes
Struttura / Structure	Alluminio pressofuso, estruso e laminato / Die-cast, extruded aluminium and laminated
Elementi plastici / Plastic elements	Polietilene e poliammide / Polyethylene and polyamide
Finitura / Paint finishes	Verniciatura polveri poliesteri o poliuretaniche e anodizzazione / Paint finish with polyester or polyurethane powders and anodisation
Impilabilità / Stackability	Si / yes
Viterie assemblaggio / Assembly screws	Acciaio inox / Stainless steel
Peso netto singolo pezzo / Net weight	38,183 kg
Pezzi per scatola / Units per package	1 disassemblati / 1 disassembled
Dimensione e volume imballo / Packaging dimension and volume	183 x 110 x 22 cm 0,443 m ³
Peso lordo imballo / Gross weight package	49 kg
Garanzia / Quality guarantee	2 anni / 2 years

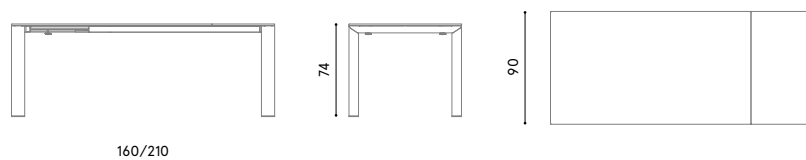
Grande Arche

5500S

RV.0-02-2022

Descrizione / Description

Misure / Quotes



Caratteristiche / Characteristics

Tavolo rettangolare allungabile in alluminio verniciato e piano in alluminio puntinato con prolunga. Predisposto per una seconda prolunga / Extendible rectangular table in painted aluminium and top in speckled aluminium, with extension. Ready for a second extension

Design / Design	Robby Cantarutti & Partners
Dimensioni / Dimensions	180 x 51 x 93 h
Esterno / Outdoor	Si / yes
Struttura / Structure	Alluminio pressofuso, estruso e laminato / Die-cast, extruded aluminium and laminated
Elementi plastici / Plastic elements	Polietilene e poliammide / Polyethylene and polyamide
Finitura / Paint finishes	Verniciatura polveri poliesteri o poliuretaniche e anodizzazione / Paint finish with polyester or polyurethane powders and anodisation
Impilabilità / Stackability	Si / yes
Viterie assemblaggio / Assembly screws	Acciaio inox / Stainless steel
Peso netto singolo pezzo / Net weight	38,183 kg
Pezzi per scatola / Units per package	1 disassemblati / 1 disassembled
Dimensione e volume imballo / Packaging dimension and volume	183 x 110 x 22 cm 0,443 m ³
Peso lordo imballo / Gross weight package	70 kg
Garanzia / Quality guarantee	2 anni / 2 years

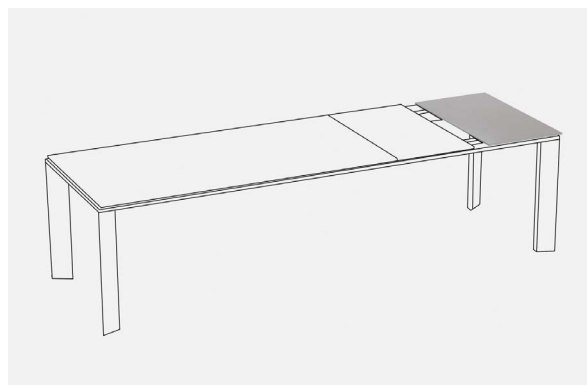
Grande Arche

5500P

RV.0-02-2022

Descrizione / Description

Misure / Quotes



Caratteristiche / Characteristics

Prolunga aggiuntiva in alluminio verniciato/puntinato / Additional extension in painted/speckled aluminium

Design / Design	Robby Cantarutti & Partners
Dimensioni / Dimensions	50 x 90 x 15,4 h
Esterno / Outdoor	Si / yes
Struttura / Structure	Alluminio pressofuso ed estruso / Die-cast and extruded aluminium
Elementi plastici / Plastic elements	Polietilene/ Polyethylene
Finitura / Paint finishes	Verniciatura polveri poliestere o poliuretaniche / Paint finish with polyester or polyurethane powders
Impilabilità / Stackability	Si / yes
Viterie assemblaggio / Assembly screws	Acciaio inox / Stainless steel
Peso netto singolo pezzo / Net weight	5 kg
Pezzi per scatola / Units per package	1 assemblati / 1 assembled
Dimensione e volume imballo / Packaging dimension and volume	/
Peso lordo imballo / Gross weight package	/
Garanzia / Quality guarantee	2 anni / 2 years

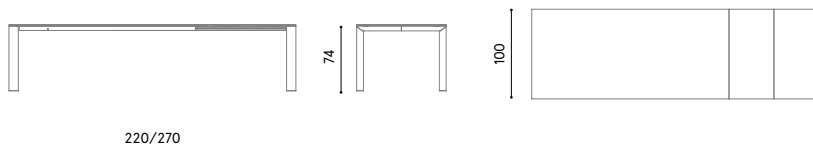
Grande Arche

5600

RV.0-02-2022

Descrizione / Description

Misure / Quotes



Caratteristiche / Characteristics

Tavolo rettangolare allungabile in alluminio verniciato con prolunga. Predisposto per una seconda prolunga / Extendible rectangular table in painted aluminium, with extension. Ready for a second extension

Design / Design

Robby Cantarutti & Partners

Dimensioni / Dimensions

220/270 x 100 x 93 h

Esterno / Outdoor

Si / yes

Struttura / Structure

Alluminio pressofuso, estruso e laminato / Die-cast, extruded aluminium and laminated

Elementi plastici / Plastic elements

Polietilene e poliammide / Polyethylene and polyamide

Finitura / Paint finishes

Verniciatura polveri poliestere o poliuretaniche/ Paint finish with polyester or polyurethane powders and anodisation

Impilabilità / Stackability

Si / yes

Viterie assemblaggio / Assembly screws

Acciaio inox / Stainless steel

Peso netto singolo pezzo / Net weight

55,577 kg

Pezzi per scatola / Units per package

1 disassemblati / 1 disassembled

Dimensione e volume imballo / Packaging dimension and volume

252 x 116 x 21 cm 0.614 m³

Peso lordo imballo / Gross weight package

65 kg

Garanzia / Quality guarantee

2 anni / 2 years

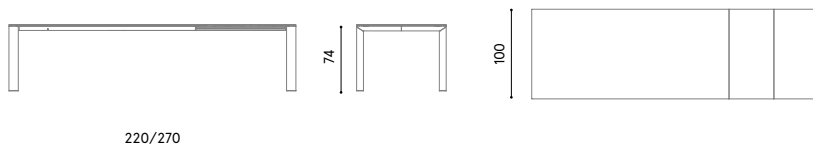
Grande Arche

5600S

RV.0-02-2022

Descrizione / Description

Misure / Quotes



Caratteristiche / Characteristics

Tavolo rettangolare allungabile in alluminio verniciato e piano in alluminio puntinato con prolunga. Predisposto per una seconda prolunga / Extendible rectangular table in painted aluminium and top in speckled aluminium, with extension. Ready for a second extension

Design / Design	Robby Cantarutti & Partners
Dimensioni / Dimensions	220/270 x 100 x 93 h
Esterno / Outdoor	Si / yes
Struttura / Structure	Alluminio pressofuso, estruso e laminato / Die-cast, extruded aluminium and laminated
Elementi plastici / Plastic elements	Polietilene e poliammide / Polyethylene and polyamide
Finitura / Paint finishes	Verniciatura polveri poliestere o poliuretatiche/ Paint finish with polyester or polyurethane powders and anodisation
Impilabilità / Stackability	Si / yes
Viterie assemblaggio / Assembly screws	Acciaio inox / Stainless steel
Peso netto singolo pezzo / Net weight	55,577 kg
Pezzi per scatola / Units per package	1 disassemblati / 1 disassembled
Dimensione e volume imballo / Packaging dimension and volume	252 x 116 x 21 cm 0.614 m ³
Peso lordo imballo / Gross weight package	65 kg
Garanzia / Quality guarantee	2 anni / 2 years

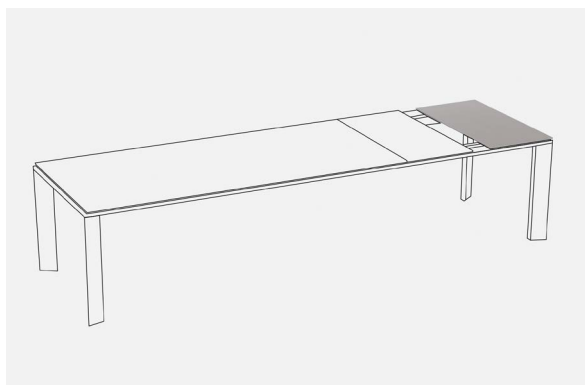
Grande Arche

5600P

RV.0-02-2022

Descrizione / Description

Misure / Quotes



Caratteristiche / Characteristics

Prolunga aggiuntiva in alluminio verniciato/puntinato / Additional extension in painted/speckled aluminium

Design / Design	Robby Cantarutti & Partners
Dimensioni / Dimensions	50 x 100 x 15,4 h
Esterno / Outdoor	Si / yes
Struttura / Structure	Alluminio pressofuso ed estruso / Die-cast and extruded aluminium
Elementi plastici / Plastic elements	/
Finitura / P-aint finishes	Verniciatura polveri poliestere o poliuretaniche / Paint finish with polyester or polyurethane powders
Impilabilità / Stackability	Si / yes
Viterie assemblaggio / Assembly screws	Acciaio inox / Stainless steel
Peso netto singolo pezzo / Net weight	6 kg
Pezzi per scatola / Units per package	1 assemblati / 1 assembled
Dimensione e volume imballo / Packaging dimension and volume	/
Peso lordo imballo / Gross weight package	/
Garanzia / Quality guarantee	2 anni / 2 years

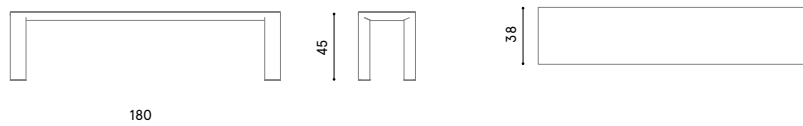
Grande Arche

5800

RV.0-02-2022

Descrizione / Description

Misure / Quotes



Caratteristiche / Characteristics

Panca in alluminio verniciato / Bench in painted aluminium

Design / Design

Robby Cantarutti & Partners

Dimensioni / Dimensions

180 x 45 x 38 h

Esterno / Outdoor

Sì / yes

Struttura / Structure

Alluminio estruso e laminato / Die-cast, extruded aluminium and laminated

Elementi plastici / Plastic elements

Polietilene/ Polyethylene

Finitura / Paint finishes

Verniciatura polveri poliestere o poliuretaniche/ Paint finish with polyester or polyurethane powders

Impilabilità / Stackability

No

Viterie assemblaggio / Assembly screws

Acciaio inox / Stainless steel

Peso netto singolo pezzo / Net weight

14,632 kg

Pezzi per scatola / Units per package

1 assemblati / 1 assembled

Dimensione e volume imballo / Packaging dimension and volume

192 x 50 x 52 cm 0,494 m³

Peso lordo imballo / Gross weight package

19 kg

Garanzia / Quality guarantee

2 anni / 2 years



615

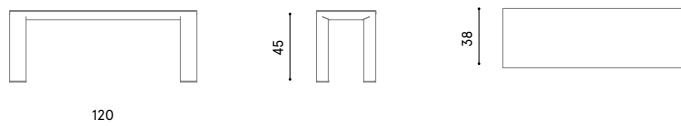
Grande Arche

5805

RV.0-02-2022

Descrizione / Description

Misure / Quotes



Caratteristiche / Characteristics

Panca in alluminio verniciato / Bench in painted aluminium

Design / Design

Robby Cantarutti & Partners

Dimensioni / Dimensions

120 x 38 x 145 h

Esterno / Outdoor

Sì / yes

Struttura / Structure

Alluminio estruso e laminato / Extruded aluminium and laminated

Elementi plastici / Plastic elements

Polietilene/ Polyethylene

Finitura / Paint finishes

Verniciatura polveri poliestere o poliuretaniche/ Paint finish with polyester or polyurethane powders

Impilabilità / Stackability

No

Viterie assemblaggio / Assembly screws

Acciaio inox / Stainless steel

Peso netto singolo pezzo / Net weight

10,993 kg

Pezzi per scatola / Units per package

1 assemblati / 1 assembled

Dimensione e volume imballo / Packaging dimension and volume

140 x 50 x 38 cm 0,350 m³

Peso lordo imballo / Gross weight package

16 kg

Garanzia / Quality guarantee

2 anni / 2 years

Accessori



616

По вопросам продаж и поддержки обращайтесь:

Алматы (7273)495-231
Ангарск (3955)60-70-56
Архангельск (8182)63-90-72
Астрахань (8512)99-46-04
Барнаул (3852)73-04-60
Белгород (4722)40-23-64
Благовещенск (4162)22-76-07
Брянск (4832)59-03-52
Владивосток (423)249-28-31
Владикавказ (8672)28-90-48
Владимир (4922)49-43-18
Волгоград (844)278-03-48
Вологда (8172)26-4159
Воронеж (473)204-51-73
Екатеринбург (343)384-55-89
Иваново (4932)77-34-06
Ижевск (3412)26-03-58
Иркутск (395)279-98-46
Казань (843)206-01-48

Калининград (4012)72-03-81
Калуга (4842)92-23-67
Кемерово (3842)65-04-62
Киров (8332)68-02-04
Коломна (4966)23-41-49
Кострома (4942)77-07-48
Краснодар (861)203-40-90
Красноярск (391)204-63-61
Курск (4712)77-13-04
Курган (3522)50-90-47
Липецк (4742)52-20-81
Магнитогорск (3519)55-03-13
Москва (495)268-04-70
Мурманск (8152)59-64-93
Набережные Челны (8552)20-53-41
Нижний Новгород (831)429-08-12
Новокузнецк (3843)20-46-81
Ноябрьск (3496)41-32-12
Новосибирск (383)227-86-73

Омск (3812)21-46-40
Орел (4862)44-53-42
Оренбург (3532)37-68-04
Пенза (8412)22-31-16
Петрозаводск (8142)55-98-37
Псков (8112)59-10-37
Пермь (342)205-81-47
Ростов-на-Дону (863)308-18-15
Рязань (4912)46-61-64
Самара (846)206-03-16
Саранск (8342)22-96-24
Санкт-Петербург (812)309-46-40
Саратов (845)249-38-78
Севастополь (8692)22-31-93
Симферополь (3652)67-13-56
Смоленск (4812)29-41-54
Сочи (862)225-72-31
Ставрополь (8652)20-65-13
Сургут (3462)77-98-35

Сыктывкар (8212)25-95-17
Тамбов (4752)50-40-97
Тверь (4822)63-31-35
Тольятти (8482)63-91-07
Томск (3822)98-41-53
Тула (4872)33-79-87
Тюмень (3452)66-21-18
Ульяновск (8422)24-23-59
Улан-Удэ (3012)59-97-51
Уфа (347)229-48-12
Хабаровск (4212)92-98-04
Чебоксары (8352)28-53-07
Челябинск (351)202-03-61
Череповец (8202)49-02-64
Чита (3022)38-34-83
Якутск (4112)23-90-97
Ярославль (4852)69-52-93

Россия +7(495)268-04-70

Казахстан +7(7172)727-132

Киргизия +996(312)96-26-47

Адрес: <https://fast.nt-rt.ru/> || эл.почта: ftj@nt-rt.ru